

# ELECTRIC BOLT INSTALL INSTRUCTION

## LK-1201AE



### SPECIFICATION

Door monitoring output(reel sensor NO/NC)	SUPPLY VOLTAGE	START CURRENT	STANDBY CURRENT	Material
YES	12 VDC	900 mA	380 mA	Aluminum



### ELECTRICAL SETTING

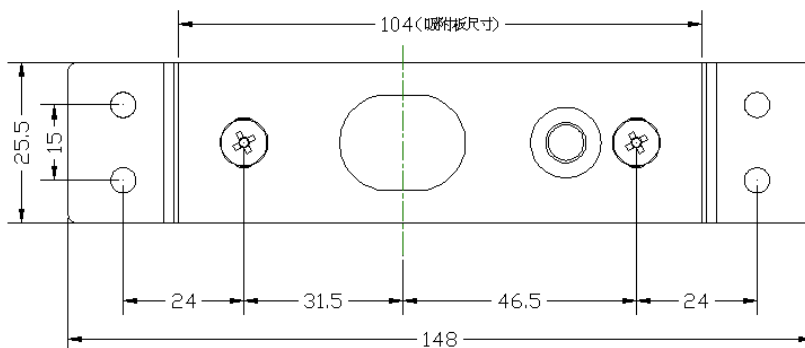
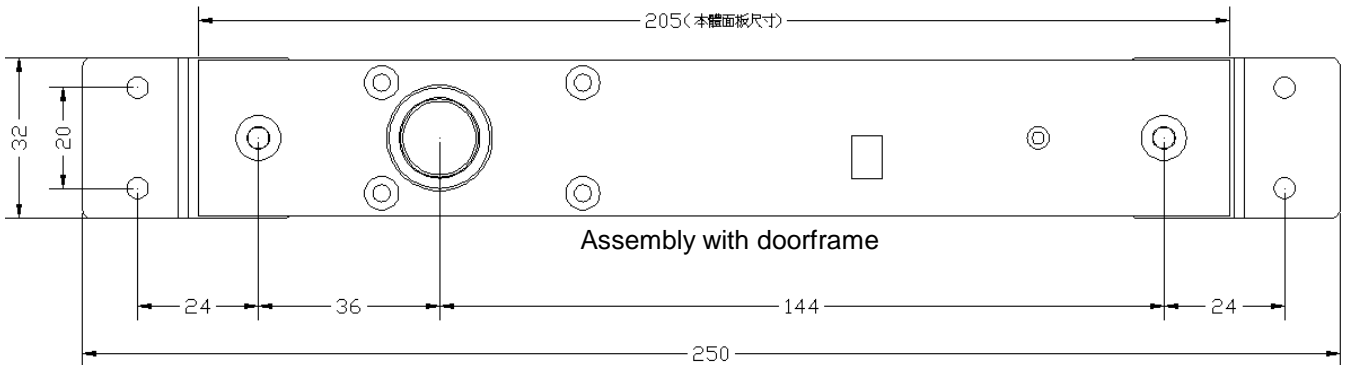
— RED +  
 — BLACK — (GND)

Note:

Open upon current off, with push button, contactor, re-lock in 5 seconds.

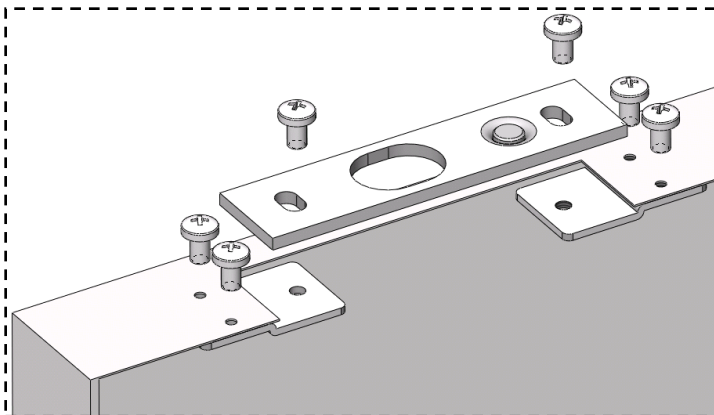
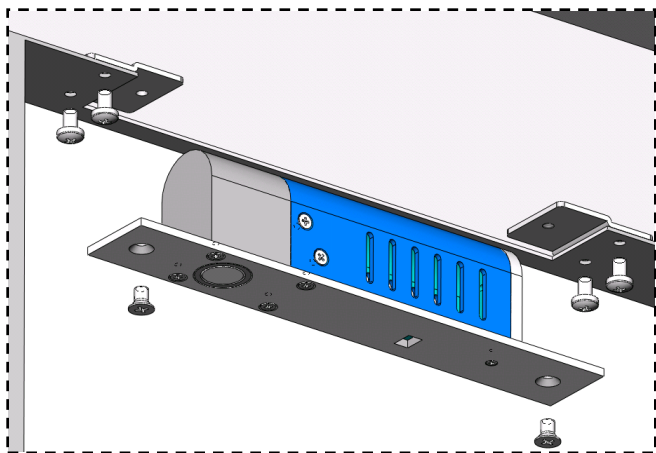
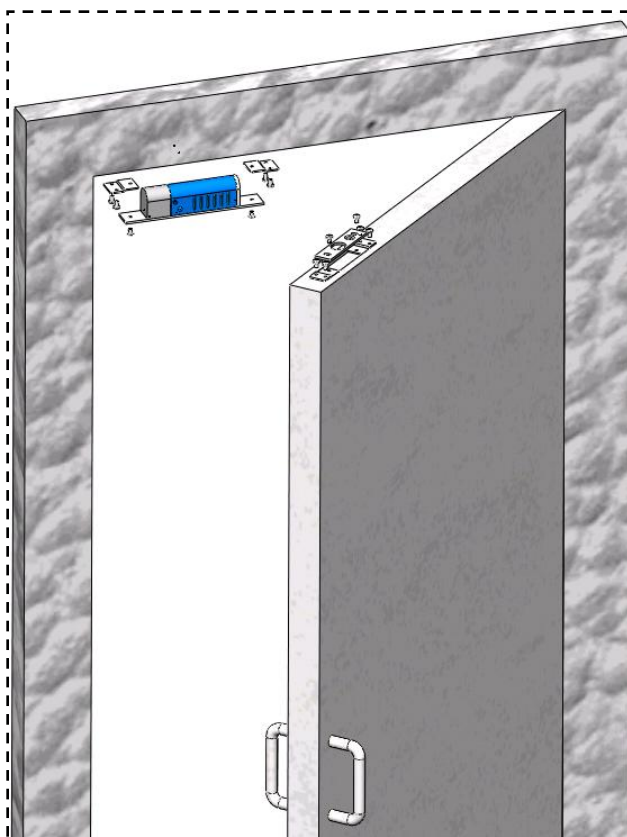


### DIMENSION





## ASSEMBLY DIAGRAM



## ★ CAUTION

- 1.Re-check the bolt is not on duty and proper direction.
- 2.Make sure the wire(+ \ -) is not uncrowded or wrong direction.
- 3.The temperature of electronic current have to keep under 50°C .If not, the fuse will not be operate.