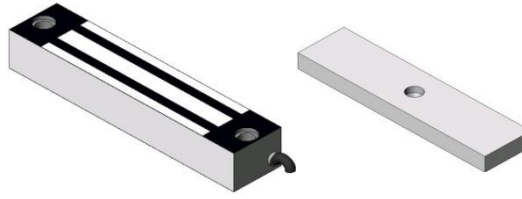


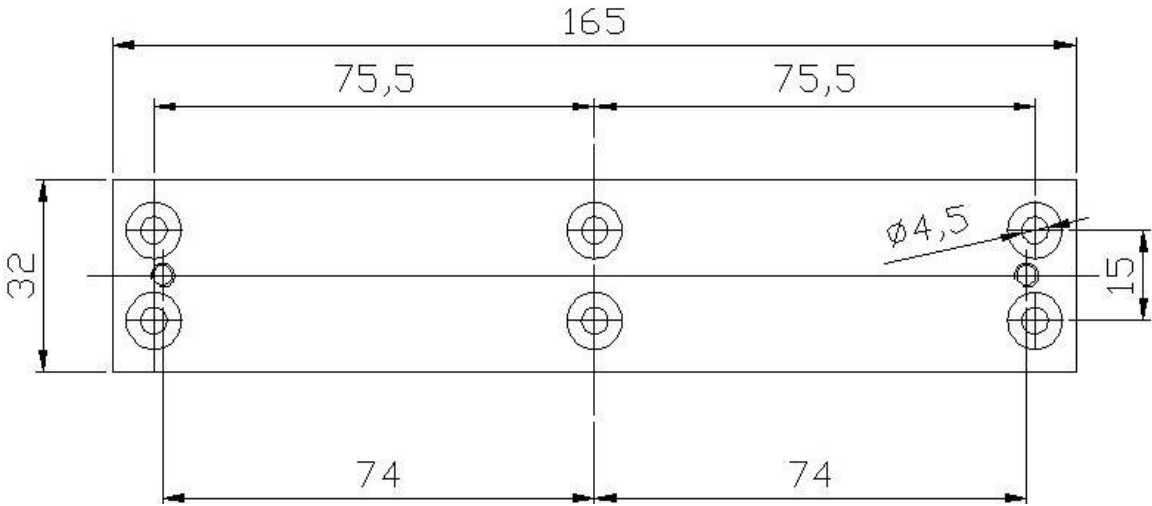
## GL-180 (Used for in swing door)



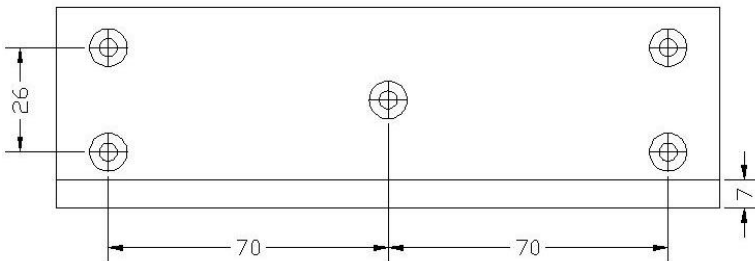
### SPECIFICATION

INPUT VOLTAGE	CURRENT DRAW	HOLDING FORCE	SURFACE MAGNET DIMENSION	STRIKE PLATE DIMENSION
12 TO 24 VDC	12VDC-370mA 24VDC-185mA	400LBS	164×35×26 mm	130×32×10 mm

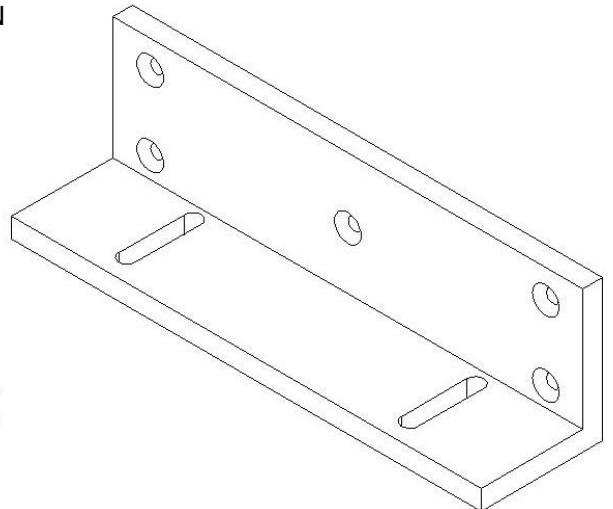
### FIXING DIMENSION

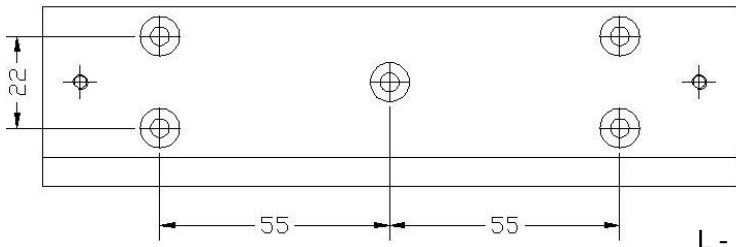


SETTLEMENT PLATE DIMENSION

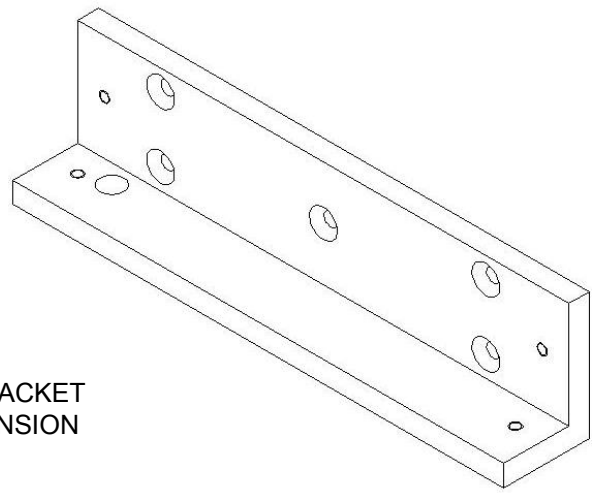


Z - BRACKET DIMENSION

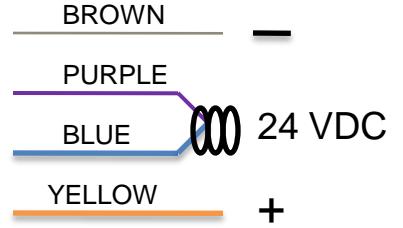
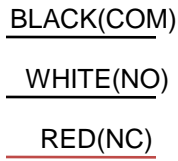
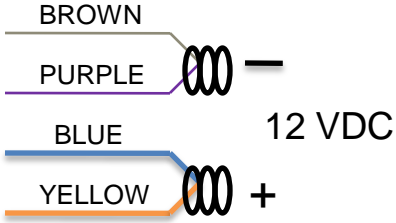




L - BRACKET  
DIMENSION



## ELECTRICAL INSTALLATION



## GL-180 IN SWING DOOR ASSEMBLY

